



**Diplomat - DD692712B1A - 039847 - No**  
(Family) (Model) (Part #) (In Stock)

## Electrical Specifications

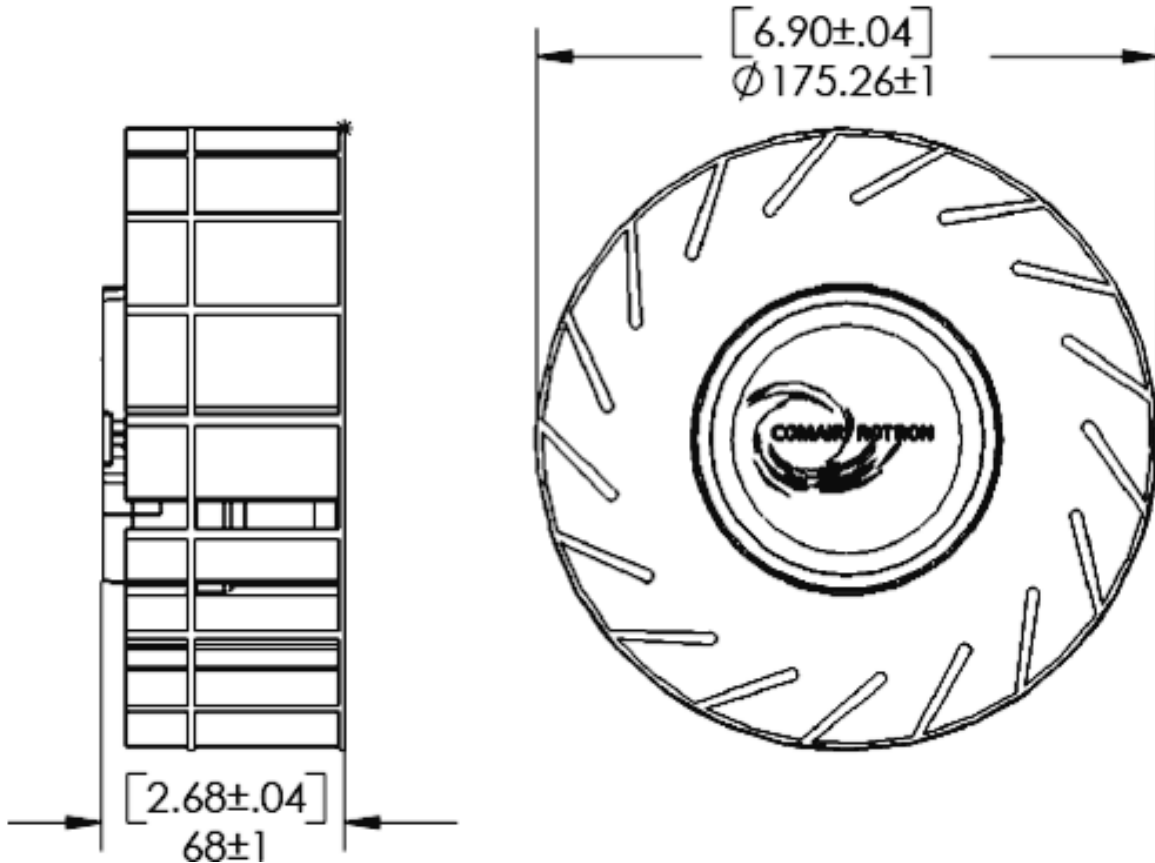
Operating Voltage:	12 Volts
Voltage Range:	6 - 14 Volts
Power Supply:	25.3 Watts
Line Current:	2.10 Amps
Locked Rotor Current	5.00 Amps
Nominal Speed:	2400 RPM

## Mechanical Specifications

Dimensions:	6.9 x 6.9 x 2.7 in
Weight	38.8 oz
Max Airflow @ 0 in H <sub>2</sub> O	275.0 CFM
Max Pressure @ 0 CFM	1.110 in H <sub>2</sub> O
Noise	59.8 dBA



## Mechanical Drawing





## Impeller Performance Curve

## Impeller Configuration Options

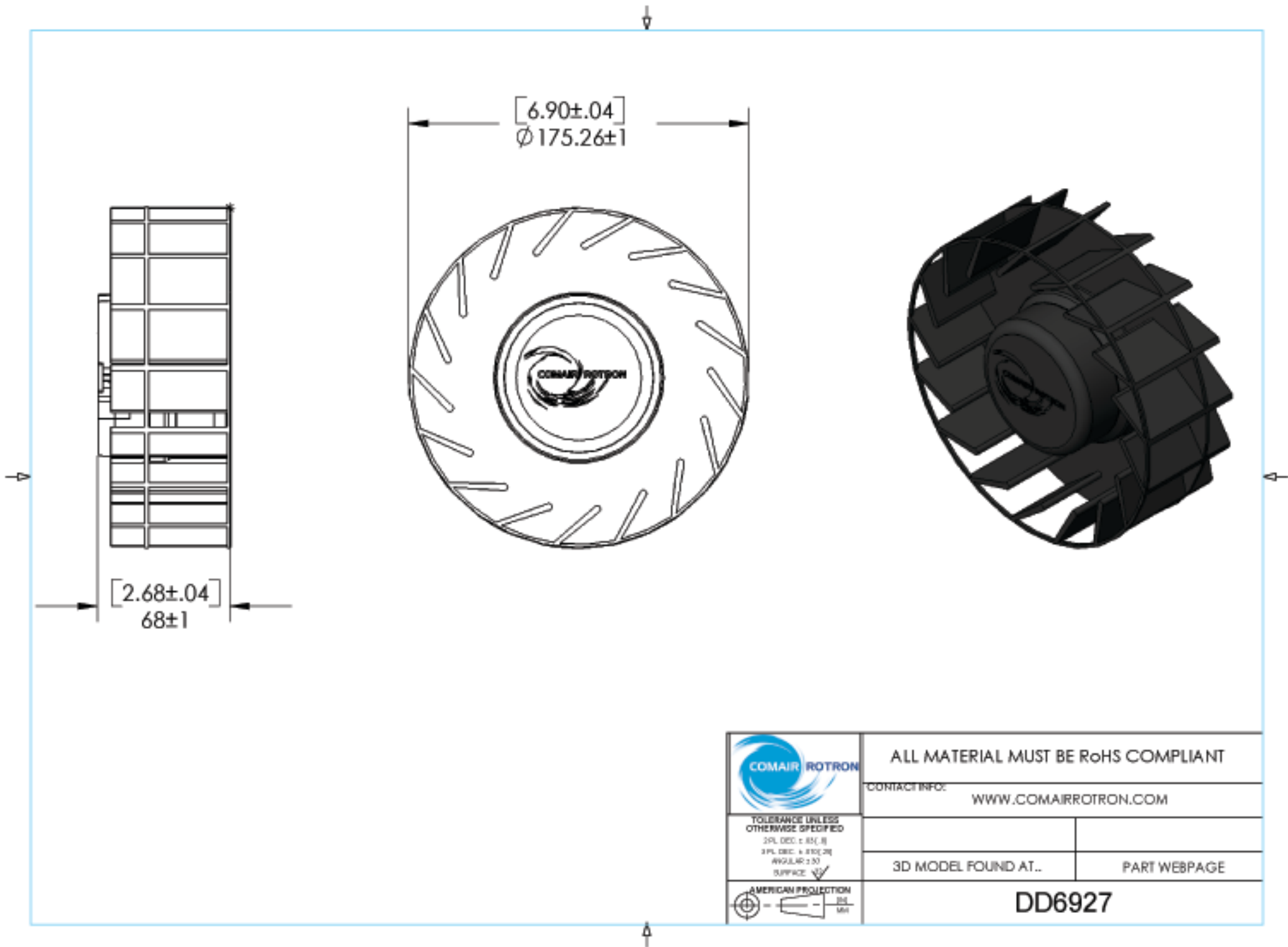
<b>Diplomat</b> (Family)	<b>DD692712B1A</b> (Model)	<b>/ 039847</b> (Part #)	<b>No</b> (In Stock)	<b>305 mm [12 inch] Leads</b> (Features)
-----------------------------	-------------------------------	-----------------------------	-------------------------	---


<b>Impeller Speed:</b>	<b>2400 RPM</b>	<b>Impeller Bearings:</b>	<b>Ball Bearings</b>
<b>Impeller Airflow Direction:</b>	<b>Centrifugal (CW Rotation)</b>	<b>Impeller Termination:</b>	<b>Leads</b>

<b>Impeller Monitoring Options:</b>	<b>TTL (+5V) Tachometer Output (2 Pulses/Rev)</b>
-------------------------------------	---

<b>Impeller Speed Control Option:</b>	<b>No Speed Control Options Selected</b>
---------------------------------------	--

<b>Environmental Protection Options:</b>	<b>No Enviroshield Options Selected</b>
--	---



	<b>ALL MATERIAL MUST BE RoHS COMPLIANT</b>	
	CONTACT INFO: <a href="http://WWW.COMAIRROTRON.COM">WWW.COMAIRROTRON.COM</a>	
TOLERANCE UNLESS OTHERWISE SPECIFIED SPL. DEC. ± .01 (R) SPL. DEC. ± .002 (D) ANGULAR ± 30' SURFACE ✓	3D MODEL FOUND AT..	PART WEBPAGE
	<b>DD6927</b>	
		